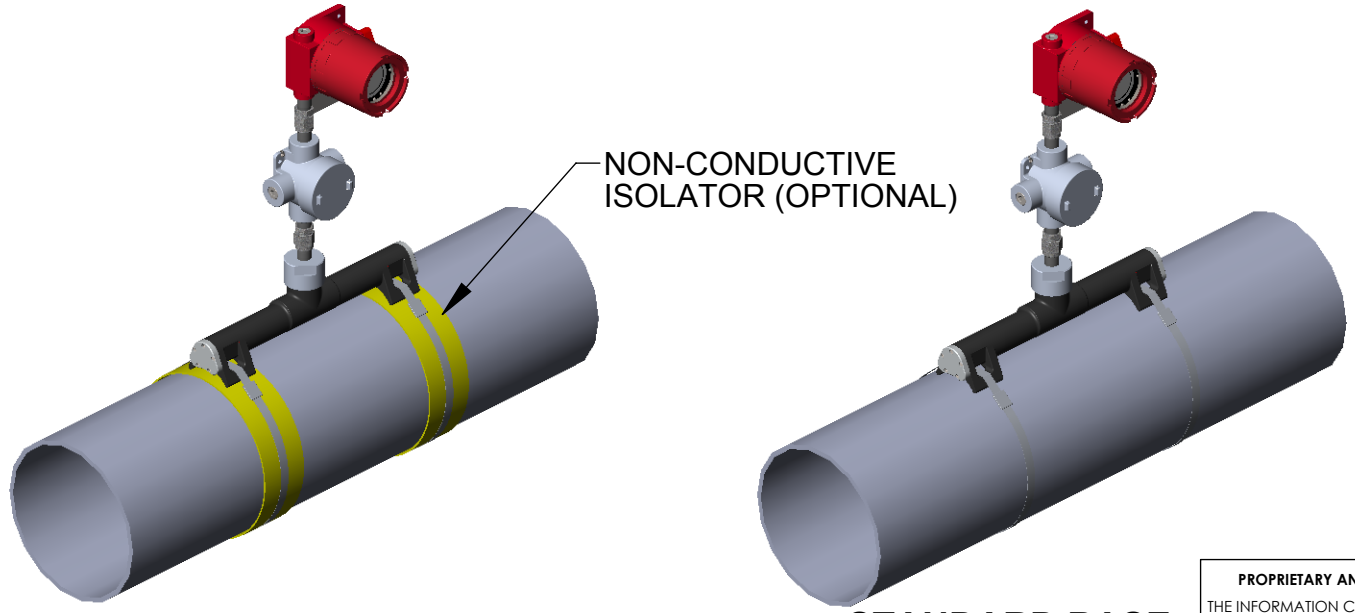
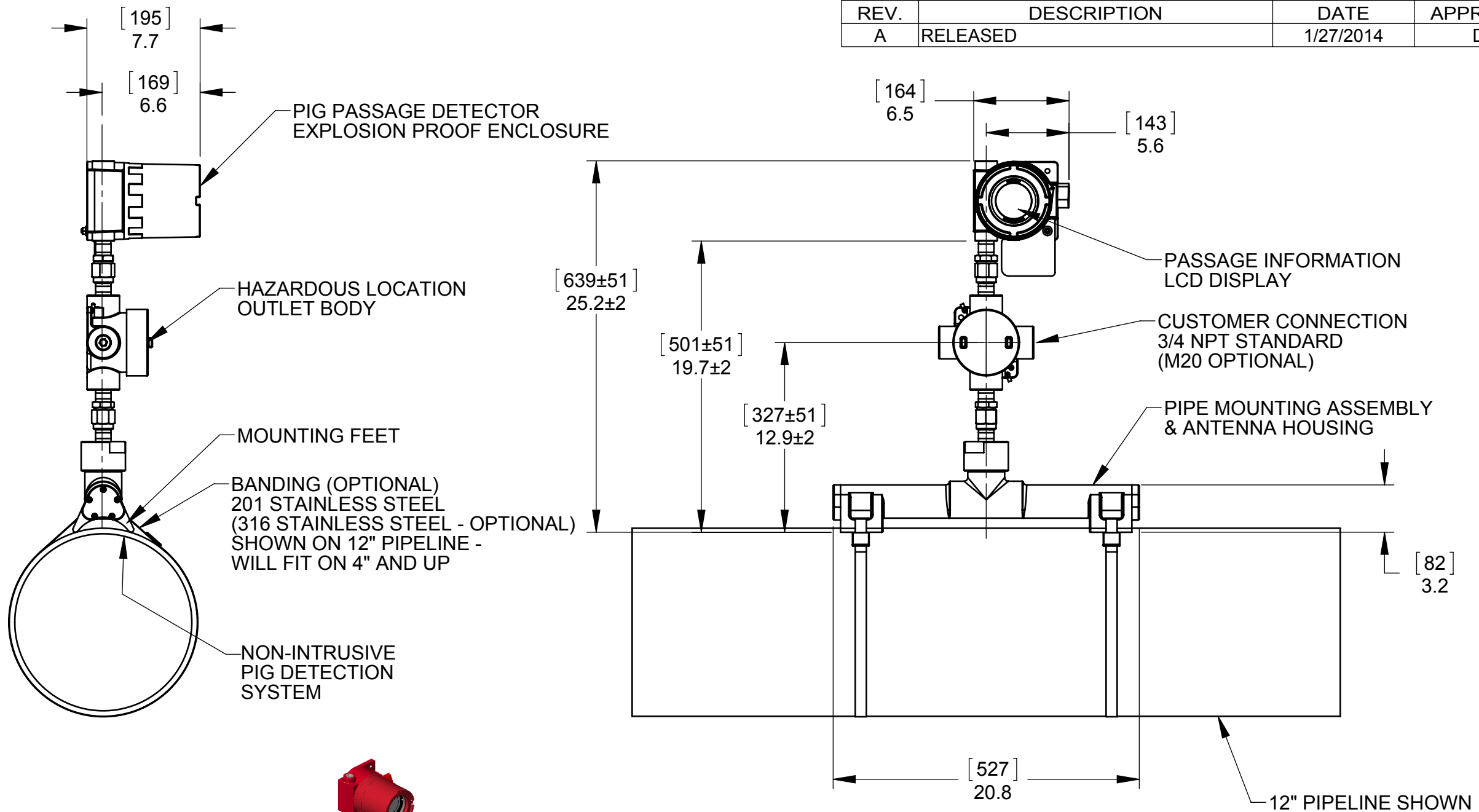


8 7 6 5 4 3 2 1

REVISIONS			
REV.	DESCRIPTION	DATE	APPROVED
A	RELEASED	1/27/2014	DS



NOTES:
 1. DIMENSIONS ARE IN INCHES AND [MILLIMETERS].
 2. UNIT WEIGHT: 28 LBS [13 KG].

PROPRIETARY AND CONFIDENTIAL
 THE INFORMATION CONTAINED IN THIS DRAWING IS THE SOLE PROPERTY OF CDI. ANY REPRODUCTION IN PART OR AS A WHOLE WITHOUT THE WRITTEN PERMISSION OF CDI IS PROHIBITED.

UNLESS OTHERWISE SPECIFIED:		NAME	DATE	CDI
DIMENSIONS ARE IN INCHES TOLERANCES: FRACTIONAL ± 1/32 ANGULAR: ± 2° TWO PLACE DECIMAL ± .03 THREE PLACE DECIMAL ± .010		DRAWN	DS 01/27/2014	
INTERPRET GEOMETRIC TOLERANCING PER: ASME Y14.5M - 1994		CHECKED		
MATERIAL		ENG APPR.		
FINISH		MFG APPR.		
NEXT ASSY	USED ON	Q.A.		GENERAL ARRANGEMENT, CD52 ATEX BANDIT
APPLICATION		COMMENTS:		
DO NOT SCALE DRAWING		ECN #:		SIZE B
				DWG. NO. 81-05-0080-XX-0-XXXE
				REV A
				SCALE: WEIGHT: SHEET 1 OF 1

8 7 6 5 4 3 2 1