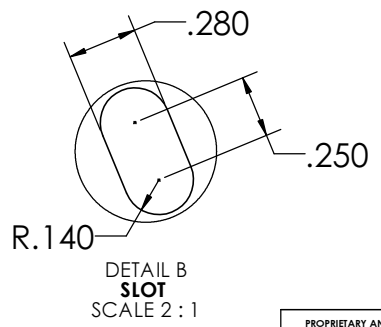
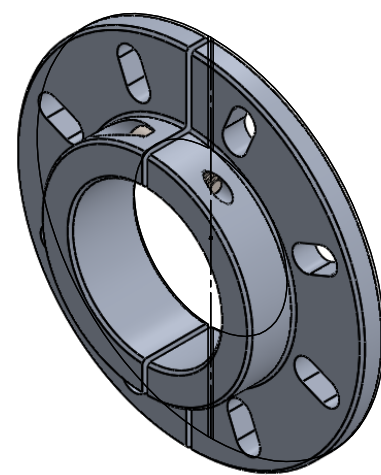
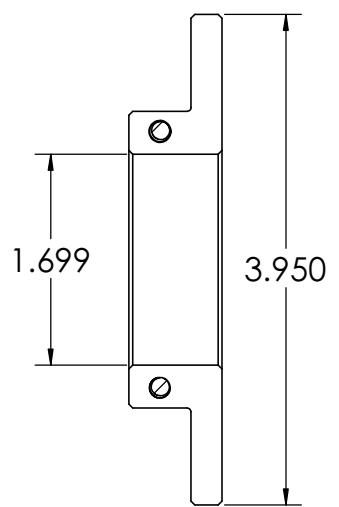
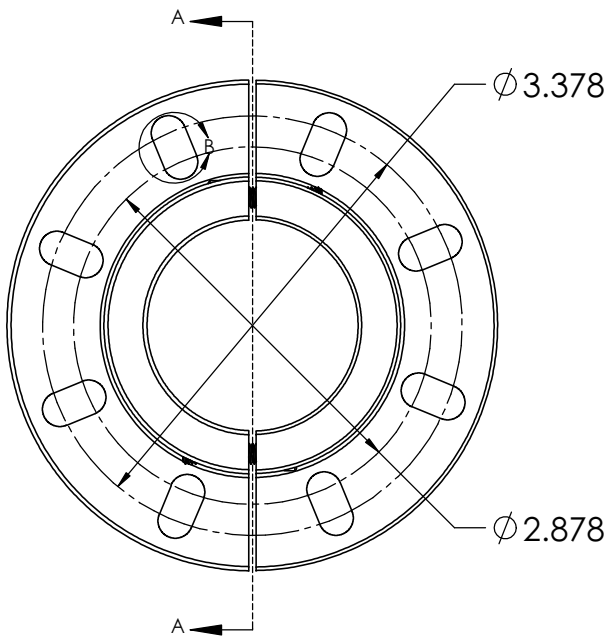


REV.	DESCRIPTION	DATE	APPROVED
1	RELEASE FOR PRODUCTION	5/26/2015	KRW



NOTES:
1. REMOVE ALL BURRS AND SHARP EDGES.

PROPRIETARY AND CONFIDENTIAL
 THE INFORMATION CONTAINED IN THIS DRAWING IS THE SOLE PROPERTY OF CDI. ANY REPRODUCTION IN PART OR AS A WHOLE WITHOUT THE WRITTEN PERMISSION OF CDI IS PROHIBITED.



		UNLESS OTHERWISE SPECIFIED:					
		DIMENSIONS ARE IN INCHES		DRAWN		NAME	
		TOLERANCES:		KRW		DATE	
		FRACTIONAL ± 1/32		CHECKED		KRW	
		ANGULAR: ± 2°		ENG APPR.			
		TWO PLACE DECIMAL ± .03		MFG APPR.			
		THREE PLACE DECIMAL ± .010		Q.A.			
		INTERPRET GEOMETRIC TOLERANCING PER: ASME Y14.5M - 1994		COMMENTS:			
		MATERIAL				TITLE:	
		FINISH				CDI	
NEXT ASSY		USED ON				KIT, X300-XX FLANGE	
APPLICATION		DO NOT SCALE DRAWING		ECR #:		SIZE DWG. NO. REV	
						B 81-05-0112-00 1	
						SCALE: 1:1 WEIGHT: SHEET 1 OF 1	