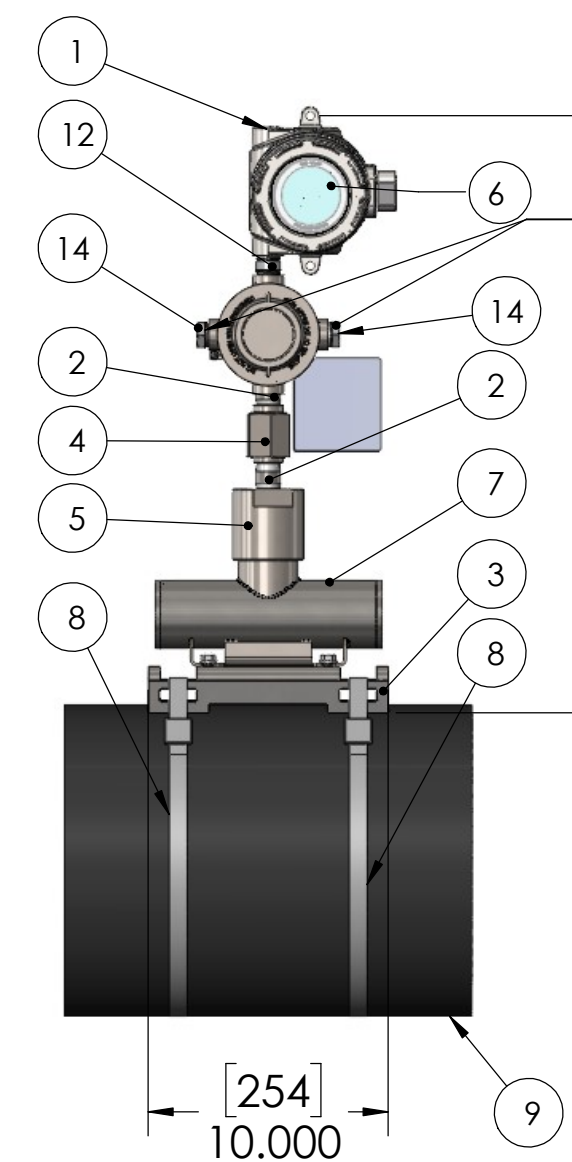
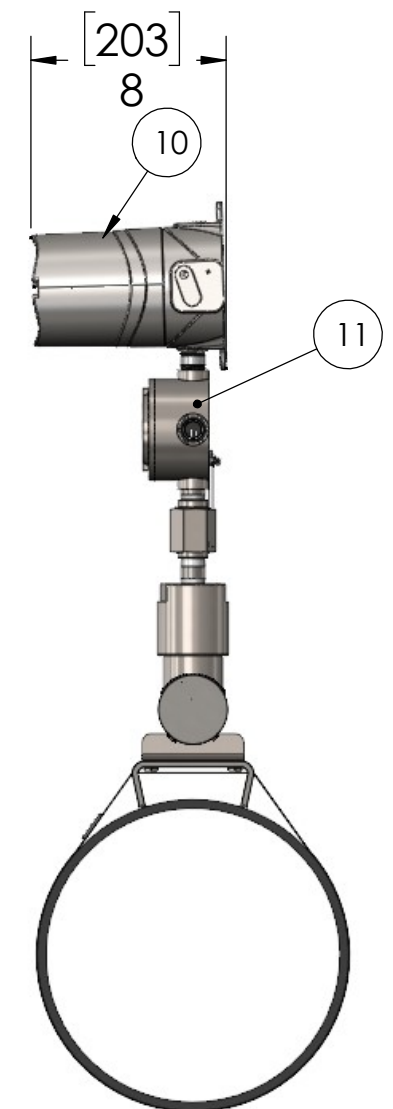


ITEM NO.	PART NUMBER	DESCRIPTION	QTY.
1	800-05-2006-23	PLUG, 3/4 NPT SS IEC Ex CERTIFIED	1
2	820-05-0200-23	PIPE FITTING NIPPLE, 3/4" PIPE X 2" LONG TYPE 316SS	2
3	80-03-0099-00	WELDMENT, CD52 ATEX SS BANDIT MOUNTING STAND	2
4	805-05-2003-23	UNION, 3/4NPT IEC Ex CERTIFIED, 316 SS	1
5	923-23-0001-01	FITTING, 2" X 3/4" 316 SS REDUCING	1
6	ELECTRONICS	ASSEMBLY, ATEX CD52 BANDIT WITH 24V, HEATER & R.I.S.	1
7	81-02-0022-00	ASSEMBLY, 10" CD52 STAINLESS STEEL BANDIT POTTED ANTENNA	1
8	Banding	316 STAINLESS STEEL	2
9	pipe-12	SAMPLE PIPE, 12" SCHEDULE 40	1
10	795-18-0005-01	ENCLOSURE EXPLOSION PROOF 316SS ATEX	1
11	32-29-0008-00	JUNCTION BOX, ATEX 316 STAINLESS STEEL HOUSING	1
12	80-02-0066-01	LINE BUSHING, 3/4" IEC Ex CERTIFIED	1
14	800-05-0001-24	REDUCER, 3/4" NPT X 1/2"NPT IEC EX CERTIFIED 316L SS	2
15	92185A537	Super-Corrosion-Resistant 316 Stainless Steel Socket Head Screw	1
16	921-01-XXXX-XX	TAG, CD52 BANDIT ATEX	1
17	81-05-0063-00-0-000	BATTERY, "D" CELL (LR20)	2

REVISIONS			
REV.	DESCRIPTION	DATE	APPROVED
A	RELEASE TO PRODUCTION	3/10/21	KRW



CUSTOMER CONNECTION POINTS



PROPRIETARY AND CONFIDENTIAL
 THE INFORMATION CONTAINED IN THIS DRAWING IS THE SOLE PROPERTY OF CIRCOR. ANY REPRODUCTION IN PART OR AS A WHOLE WITHOUT THE WRITTEN PERMISSION OF CIRCOR IS PROHIBITED.

		UNLESS OTHERWISE SPECIFIED: DIMENSIONS ARE IN INCHES TOLERANCES: FRACTIONAL ± 1/32 ANGULAR: ± 2° TWO PLACE DECIMAL ± .03 THREE PLACE DECIMAL ± .010 INTERPRET GEOMETRIC TOLERANCING PER: ASME Y14.5M - 1994
NEXT ASSY	USED ON	
APPLICATION		

PART TYPE
GENERAL ASSEMBLY



TITLE: FINAL ASSEMBLY APPROVAL DRAWING		
SIZE B	DWG. NO. 81-09-0090-DR-0-000	REV A
SCALE: 1:0.25		SHEET 1 OF 1