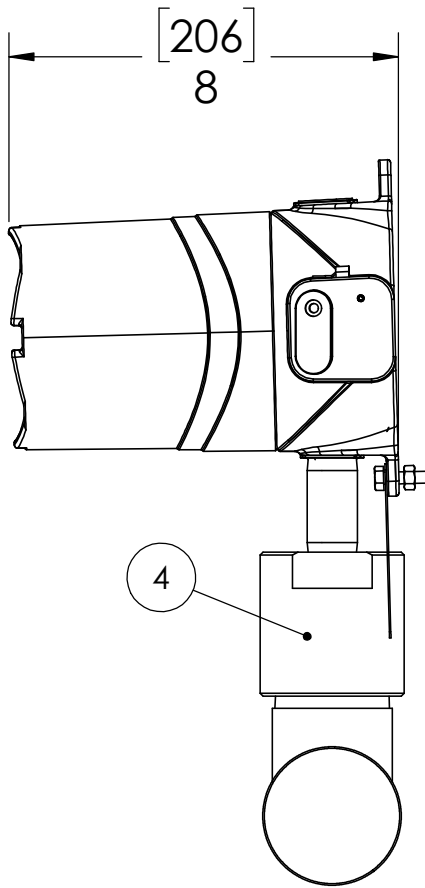
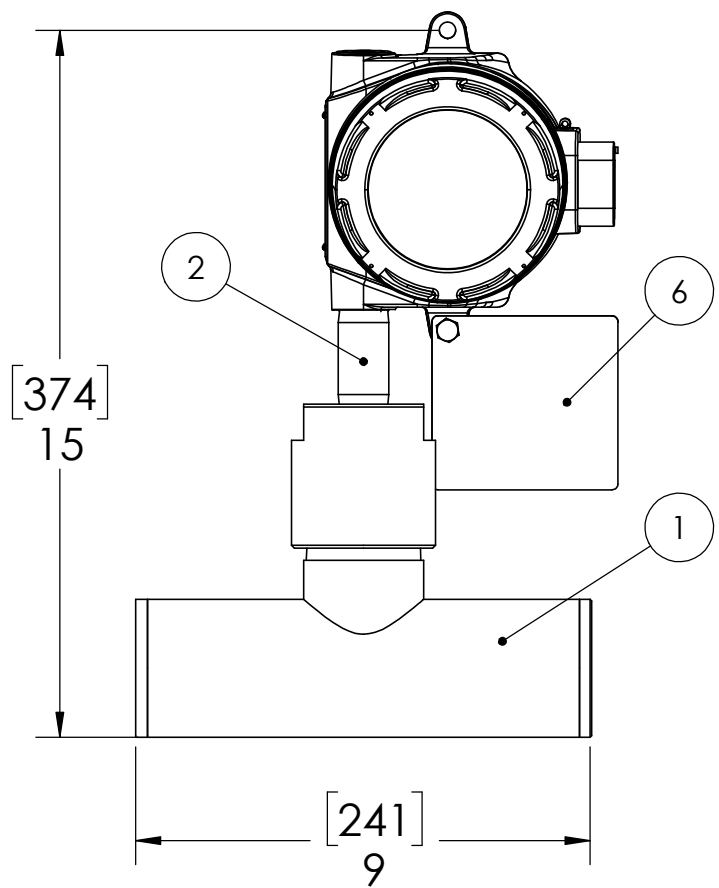
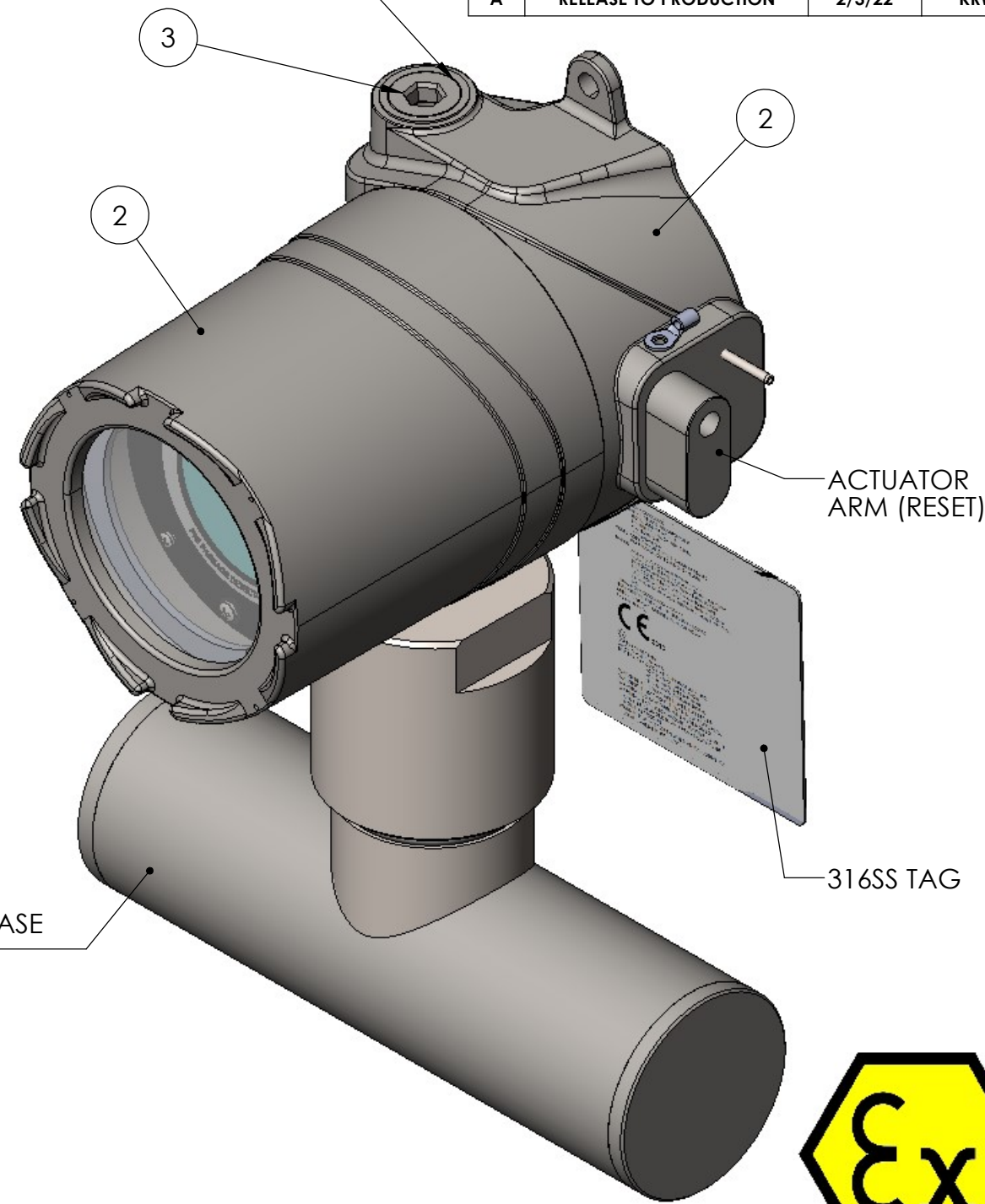


ITEM NO.	PART NUMBER	DESCRIPTION	QTY.
1	81-02-0022-XX -	ASSEMBLY, ATEX STAINLESS STEEL BANDIT ANTENNA BASE 10"	1
2	795-18-0005-01	ENCLOSURE EXPLOSION PROOF 316SS ATEX	1
3	800-05-2006-23	PLUG, 3/4 NPT SS IEC Ex CERTIFIED	1
4	923-23-0001-01	FITTING, 2" X 3/4" 316 SS REDUCING	1
5	4452K169	REDUCER, 3/4"NPT X 3/8"NPT, 316SS	1
6	921-01-XXXX-XX	TAG, CD52 BANDIT ATEX	1
16	80-03-0007-01	ASSEMBLY SWING ARM MAGNET ACTUATOR FOR 316SS	1
17	722-23-0001-00	1/8" DIA SLOTTED SPRING PIN 316SS	1

REVISIONS			
REV.	DESCRIPTION	DATE	APPROVED
A	RELEASE TO PRODUCTION	2/3/22	KRW

CUSTOMER CONNECTION



PROPRIETARY AND CONFIDENTIAL
 THE INFORMATION CONTAINED IN THIS DRAWING IS THE SOLE PROPERTY OF CDI. ANY REPRODUCTION IN PART OR AS A WHOLE WITHOUT THE WRITTEN PERMISSION OF CDI IS PROHIBITED.

VENDOR	PART NO.	UNLESS OTHERWISE SPECIFIED: DIMENSIONS ARE IN INCHES TOLERANCES: FRACTIONAL ± 1/32 ANGULAR: ± 2° TWO PLACE DECIMAL ± .03 THREE PLACE DECIMAL ± .010	CDI TITLE: FINAL ASSEMBLY 316SS 100% PORTABLE BANDIT
		INTERPRET GEOMETRIC TOLERANCING PER: ASME Y14.5M - 1994	
		MATERIAL	PART TYPE FINAL ASSEMBLY
NEXT ASSY	USED ON	FINISH	COMMENTS: SIZE DWG. NO. REV B 81-09-0090-XX-P-XXX A
APPLICATION		DO NOT SCALE DRAWING	SCALE: 1:0.25 WEIGHT: SHEET 1 OF 1