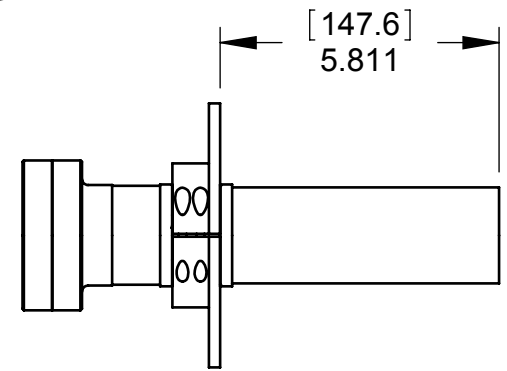
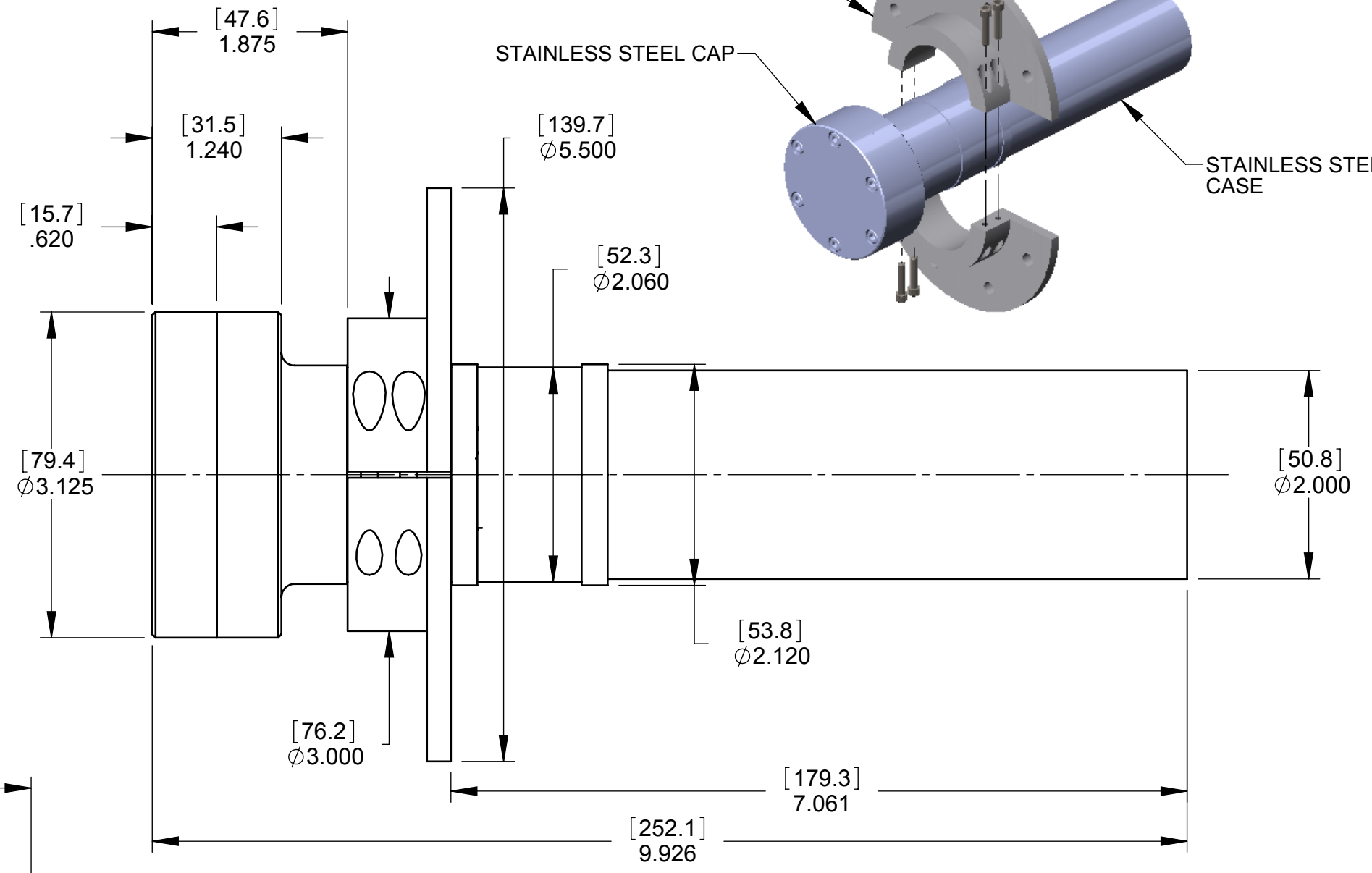
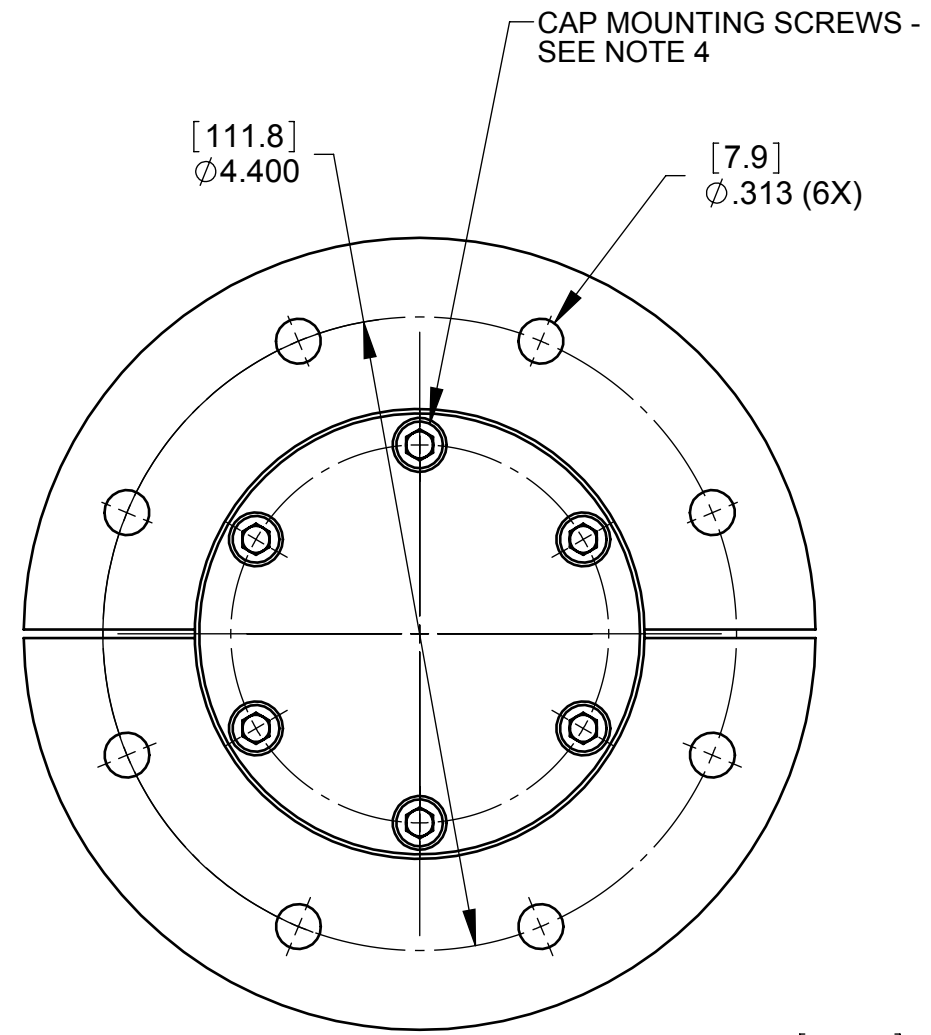


REVISIONS			
REV.	DESCRIPTION	DATE	APPROVED
A	RELEASE REVISION	9/1/2006	DS
B	1.240 WAS 1.495	10/5/2006	DS
C	MAXIMUM OPERATING PRESSURE WAS 2800PSI	3/10/2009	DS

D  
C  
B  
A



VIEW SHOWING FLANGE IN POSITION 1

VIEW SHOWING FLANGE IN POSITION 2

- NOTES:
1. DIMENSIONS ARE IN INCHES AND [MILLIMETERS].
  2. MAXIMUM OPERATING PRESSURE: 4000 PSI (276 BAR).
  3. FLANGE HAS 2 POSITIONS OR CAN BE REMOVED.
  4. TORQUE CAP SCREWS TO 45 IN-LBS BEFORE USING TRANSMITTER.

**PROPRIETARY AND CONFIDENTIAL**  
THE INFORMATION CONTAINED IN THIS DRAWING IS THE SOLE PROPERTY OF CDI. ANY REPRODUCTION IN PART OR AS A WHOLE WITHOUT THE WRITTEN PERMISSION OF CDI IS PROHIBITED.

UNLESS OTHERWISE SPECIFIED:		NAME	DATE
DIMENSIONS ARE IN INCHES		DRAWN	DS 9/01/2006
TOLERANCES:		CHECKED	
FRACTIONAL $\pm$ 1/32		ENG APPR.	
ANGULAR: $\pm$ 2°		MFG APPR.	
TWO PLACE DECIMAL $\pm$ .03		Q.A.	
THREE PLACE DECIMAL $\pm$ .010		COMMENTS:	
INTERPRET GEOMETRIC TOLERANCING PER: ASME Y14.5M - 1994			
MATERIAL			
FINISH			
NEXT ASSY	USED ON		
APPLICATION	DO NOT SCALE DRAWING		

**CDI**

TITLE:  
**GENERAL ARRANGEMENT, CD42-T1AHP**

SIZE	DWG. NO.	REV
<b>B</b>	<b>81-03-0049-00E</b>	<b>C</b>
SCALE:	WEIGHT:	SHEET 1 OF 1

8 7 6 5 4 3 2 1