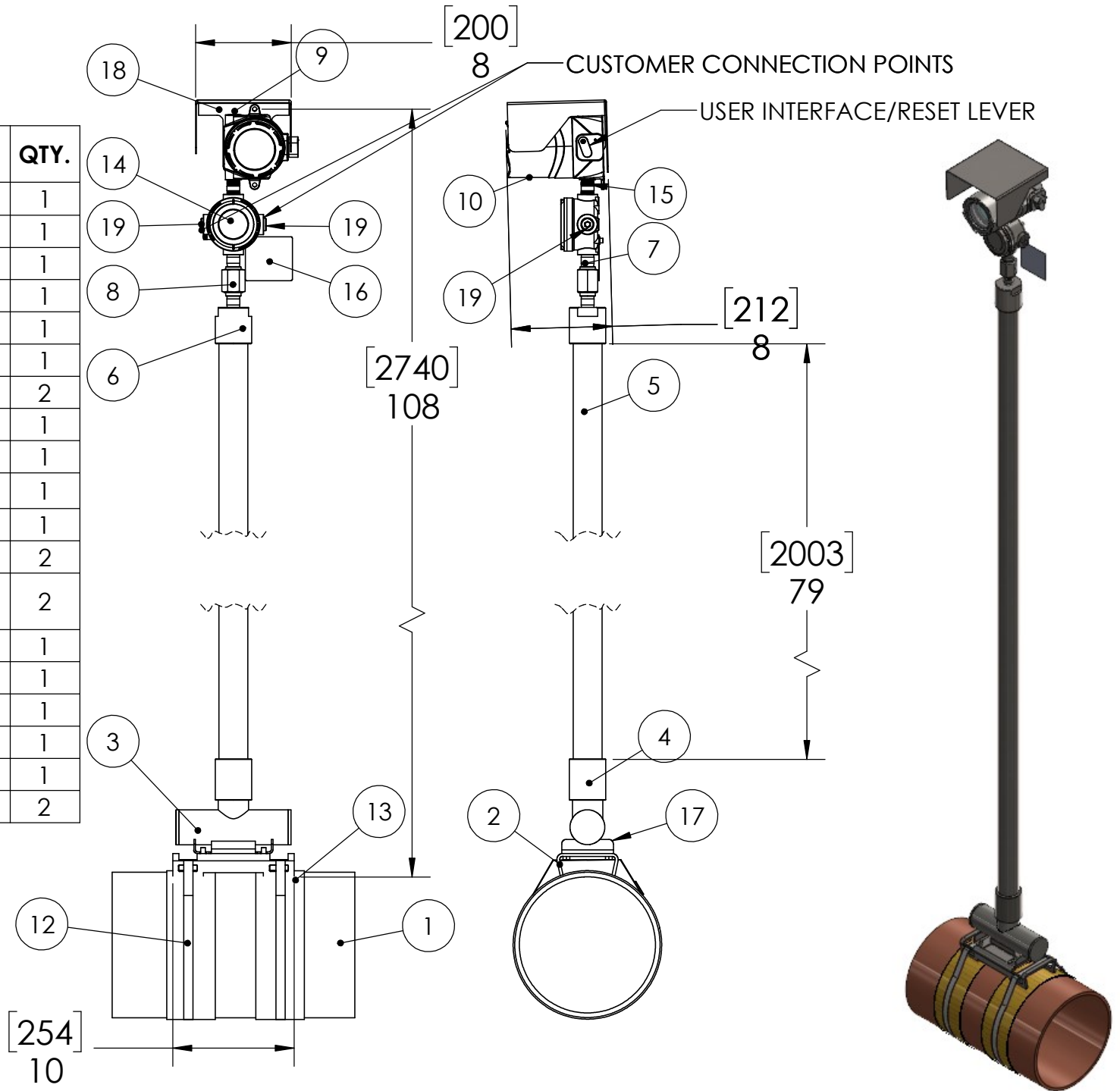


DESIGN CONFORMS TO IECEx OD 017:41 GENERAL REQUIREMENTS AND 4.2 FOR FLAMEPROOF ENCLOSURE d.

ITEM NO.	PART NUMBER	DESCRIPTION	QTY.
1	PIPE	SAMPLE PIPE, 12" SCHEDULE 40	1
2	80-03-0099-00	WELDMENT, CD52 ATEX SS BANDIT MOUNTING STAND	1
3	81-02-0022-00	ASSEMBLY, ATEX 316 STAINLESS STEEL BANDIT ANTENNA BASE 10"	1
4	822-09-0001-18	COUPLER, 2" X 2" THREADED PIPE	1
5	820-09-0069-23	PIPE, 2" SCHEDULE 40 316 SS X 81" LONG	1
6	923-23-0001-01	FITTING, 2" X 3/4" 316 SS REDUCING	1
7	820-05-0200-23	PIPE FITTING NIPPLE, 3/4" PIPE X 2" LONG TYPE 316SS	2
8	805-05-2003-23	UNION, 3/4NPT IEC Ex CERTIFIED, 316 SS	1
9	800-05-2006-23	PLUG, 3/4 NPT SS IEC Ex CERTIFIED	1
10	795-18-0005-00	ENCLOSURE EXPLOSIVE PROOF 316SS ATEX	1
11	ELECTRONICS	ASSEMBLY, ATEX CD52 BANDIT WITH 4-20mA and RIS	1
12	BANDING	316 STAINLESS STEEL	2
13	CATHODIC PROTECTION	PVC BELTING	2
14	32-29-0008-00	JUNCTION BOX, ATEX AND IEC Ex (d) 316SS HOUSING	1
15	80-02-0066-00	ASSEMBLY, CD52 LINE BUSHING CABLE	1
16	921-01-XXXX-XX	TAG, CD52 BANDIT ATEX	1
17	943-23-0001-01	MOUNTING BRACKET, CD52 STAINLESS STEEL ANTENNA WELDMENT	1
18	944-18-0002-01	316SS SUNSHADE, CD52 BANDIT ADALET HEAD	1
19	800-05-0001-21	REDUCER 3/4 NPT TO M20x1.5 IECEx CERTIFIED 316 STAINLES STEEL	2




**PROPRIETARY AND CONFIDENTIAL**  
 THE INFORMATION CONTAINED IN THIS DRAWING IS THE SOLE PROPERTY OF CDI. ANY REPRODUCTION IN PART OR AS A WHOLE WITHOUT THE WRITTEN PERMISSION OF CDI IS PROHIBITED.

		UNLESS OTHERWISE SPECIFIED: DIMENSIONS ARE IN INCHES TOLERANCES: FRACTIONAL ± 1/32 ANGULAR: ± 2° TWO PLACE DECIMAL ± .03 THREE PLACE DECIMAL ± .010
		INTERPRET GEOMETRIC TOLERANCING PER: ASME Y14.5M - 1994
		MATERIAL
		FINISH
NEXT ASSY	USED ON	
APPLICATION	DO NOT SCALE DRAWING	

**PART TYPE**  
**FINAL ASSEMBLY**

COMMENTS:

**CDI** 

TITLE:  
**CD52 100% 316 BANDIT PIPE EXTENSION**

SIZE <b>B</b>	DWG. NO. <b>81-05-0090-XX-P</b>	REV <b>A</b>
------------------	------------------------------------	-----------------

SHEET 1 OF 1