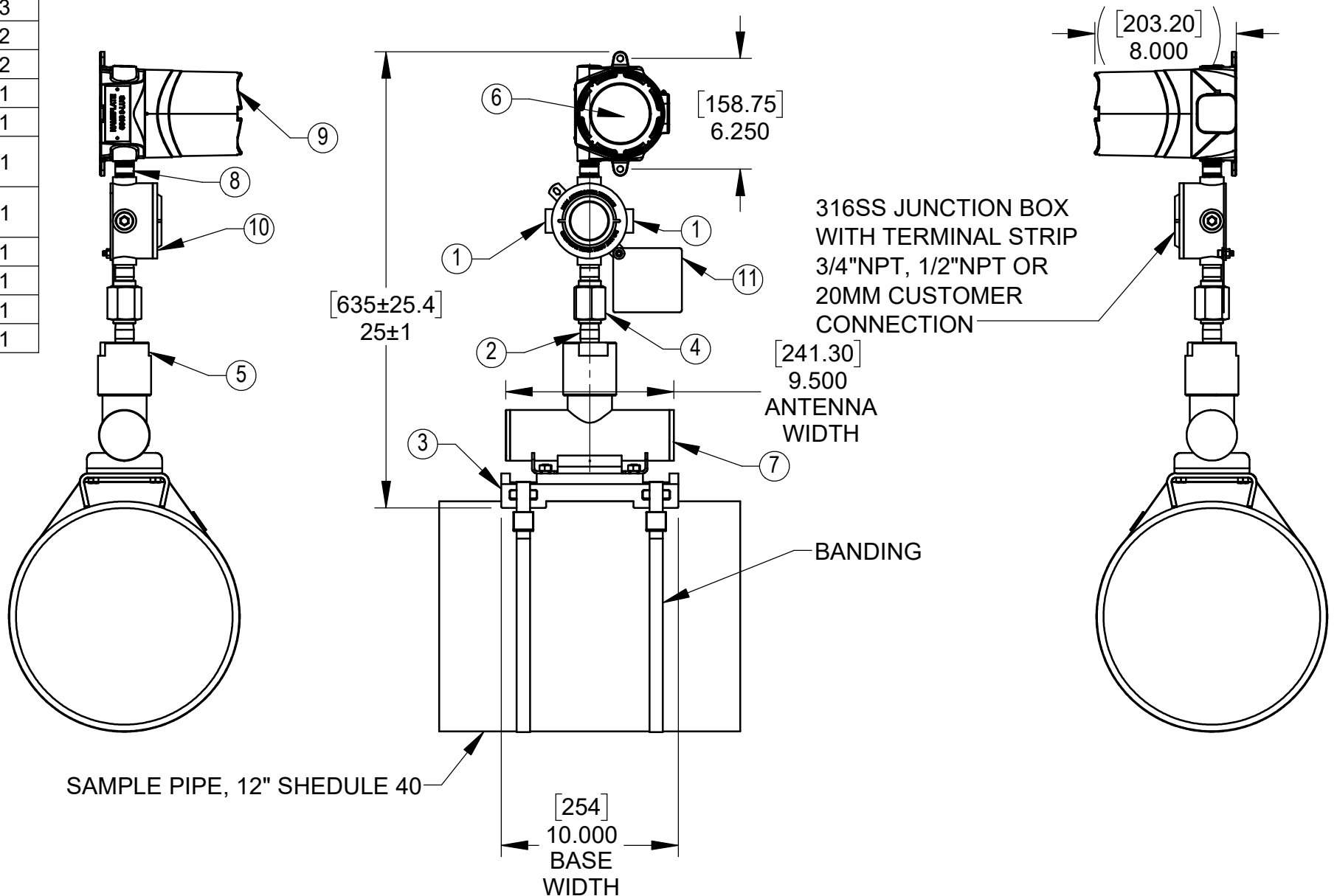
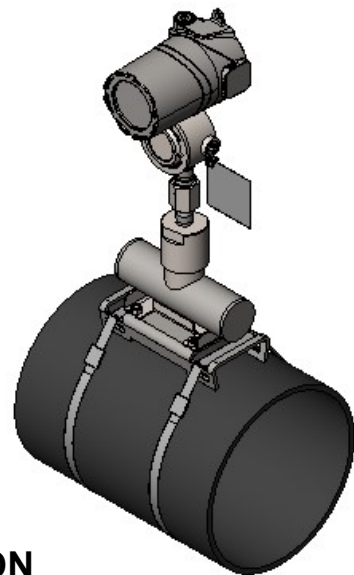


ITEM NO.	PART NUMBER	DESCRIPTION	QTY.
1	800-05-2006-23	PLUG, 3/4 NPT 316SS IEC Ex CERTIFIED	3
2	820-05-0200-23	PIPENIPPLE, 3/4" PIPE X 2" LONG 316SS	2
3	944-23-0001-01	CD52 ATEX 316SS MOUNTING STAND	2
4	805-05-2003-23	UNION, 3/4NPT IEC Ex CERTIFIED, 316 SS	1
5	923-23-0001-01	FITTING, 2" X 3/4" 316 SS REDUCING	1
6	ELECTRONICS	ASSEMBLY, ATEX AND IEC Ex (d) CD52 BANDIT WITH 24V, HEATER & R.I.S.	1
7	81-02-0022-00	ASSEMBLY, 10" CD52 STAINLESS STEEL BANDIT POTTED ANTENNA	1
8	805-05-0017-00	LINE BUSHING, 3/4" IEC Ex CERTIFIED 316SS	1
9	795-18-0005-01	ENCLOSURE EXPLOSION PROOF 316SS ATEX	1
10	32-29-0008-00	JUNCTION BOX, ATEX 316SS HOUSING	1
11	921-01-0008-01	TAG, CD52 BANDIT ATEX 316SS	1



EQUIPMENT DESCRIPTION

MODEL: 81-05-0090 CD52 STAINLESS STEEL BANDIT PIG PASSAGE DETECTOR (or SIGNALER)
RATING: 24VDC; 0.029A (29mA); 0.70 Watts - 24VDC
24VDC; 0.065A (65mA); 1.6 Watts - 4-20mA Output Option
3V; 0.0009A (0.9mA); 0.0027 Watts - Battery PC1300
2.4V; 0.0008A (0.8mA); 0.0019 Watts - Battery NiMH
3.6V; 0.0006A (0.6mA); 0.0022 Watts - Battery Li LS33600
3.65V; 0.0005A (0.5mA); 0.0018 Watts - Battery Li MP176065
CLASSIFICATION: Ex db mb IIC Gb

THIS ITEM IS A CERTIFIED PRODUCT.
NO MODIFICATION PERMITTED WITHOUT APPROVAL FROM CERTIFYING BODY.

PROPRIETARY AND CONFIDENTIAL
THE INFORMATION CONTAINED IN THIS DRAWING IS THE SOLE PROPERTY OF CDI. ANY REPRODUCTION IN PART OR AS A WHOLE WITHOUT THE WRITTEN PERMISSION OF CDI IS PROHIBITED.

		UNLESS OTHERWISE SPECIFIED: DIMENSIONS ARE IN INCHES TOLERANCES: FRACTIONAL $\pm 1/32$ ANGULAR: $\pm 2^\circ$ TWO PLACE DECIMAL $\pm .03$ THREE PLACE DECIMAL $\pm .010$
		INTERPRET GEOMETRIC TOLERANCING PER: ASME Y14.5M - 1994
		MATERIAL
		FINISH
NEXT ASSY	USED ON	
APPLICATION		DO NOT SCALE DRAWING

REVISIONS			
REV.	DESCRIPTION	DATE	APPROVED
A	RELEASE TO PRODUCTION	3/11/2021	KRW

DATE APPROVED BY GROUP		CDI
DRAWING STATE		
UNDER REVIEW		
PART TYPE		
FINAL ASSEMBLY		TITLE: FINAL ASSEMBLY APPROVAL DRAWING
SIZE	DWG. NO.	REV
B	81-05-0090-X-XXX	A
SCALE: 1:8		WEIGHT:
		SHEET 1 OF 1