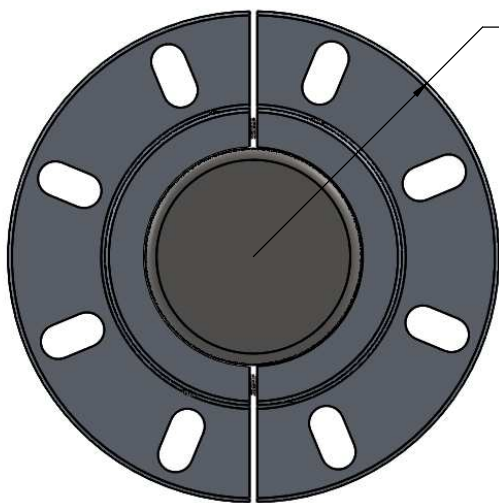


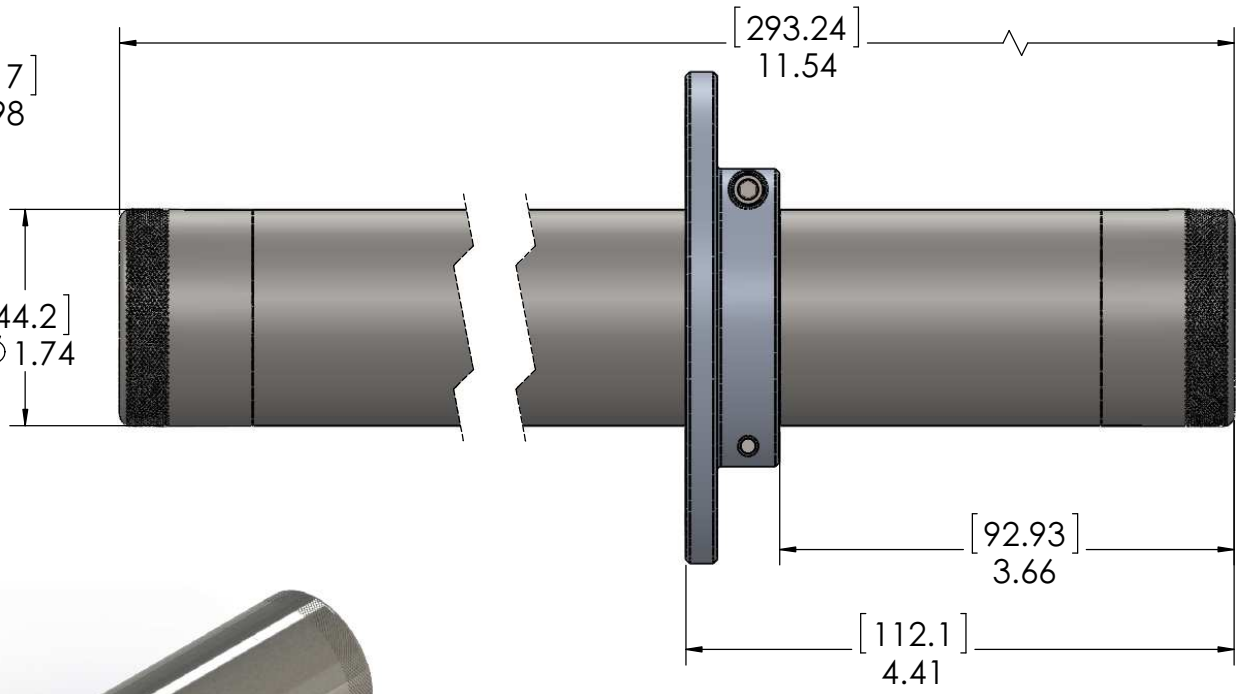
8 7 6 5 4 3 2 1

REV.	DESCRIPTION	DATE	APPROVED
1	RELEASE TO PRODUCTION	4/28/2015	KRW



[50.17]
R1.98

[44.2]
Ø 1.74



V:\X300\Mechanical Models\X300-5C\ 80-01-0115-00 GENERAL ASSEMBLY, X300-5C WITH FLANGE

D
C
B
A

PROPRIETARY AND CONFIDENTIAL
THE INFORMATION CONTAINED IN THIS DRAWING IS THE SOLE PROPERTY OF CDI. ANY REPRODUCTION IN PART OR AS A WHOLE WITHOUT THE WRITTEN PERMISSION OF CDI IS PROHIBITED.

		UNLESS OTHERWISE SPECIFIED: DIMENSIONS ARE IN INCHES TOLERANCES: FRACTIONAL ± 1/32 ANGULAR: ± 2° TWO PLACE DECIMAL ± .03 THREE PLACE DECIMAL ± .010		NAME	DATE	CDI TITLE: GENERAL ASSEMBLY, X300-5C
		DRAWN	KRW	4/28/2015		
		CHECKED				
		ENG APPR.				
		MFG APPR.				
		INTERPRET GEOMETRIC TOLERANCING PER: ASME Y14.5M - 1994		Q.A.		
		MATERIAL		COMMENTS:		
		FINISH				SIZE DWG. NO. REV
NEXT ASSY	USED ON					B 80-01-0115-00 1
APPLICATION		DO NOT SCALE DRAWING		ECN #:		SCALE: 1:4 WEIGHT: 4.37 SHEET 1 OF 1

8 7 6 5 4 3 2 1