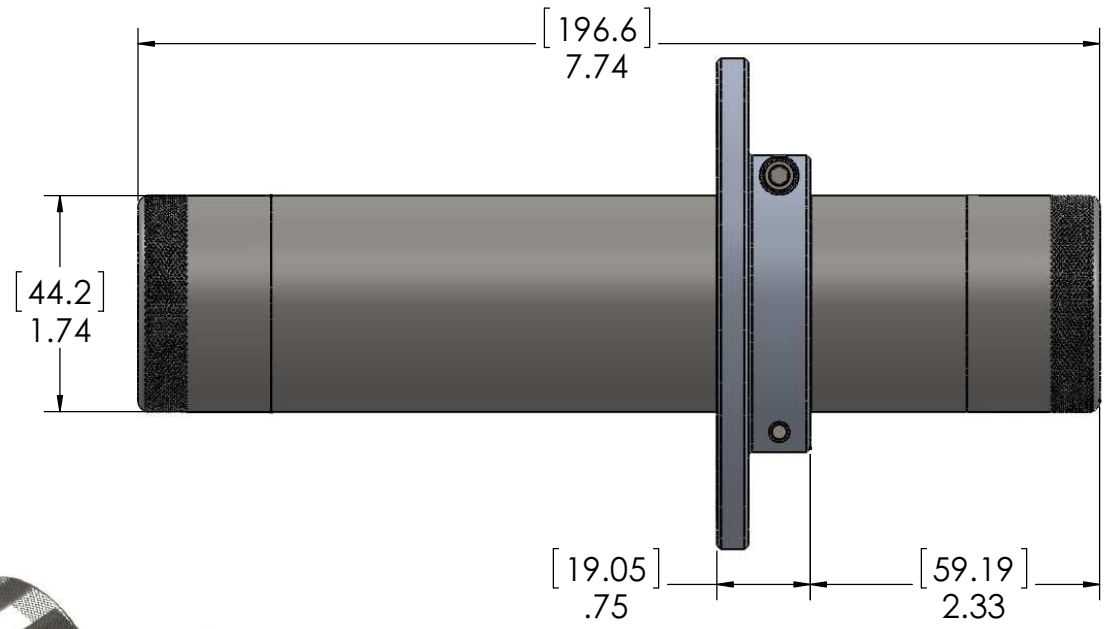
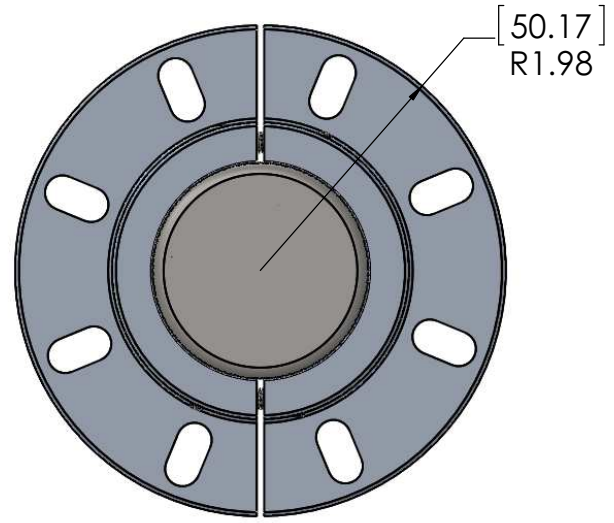


8 7 6 5 4 3 2 1

REV.	DESCRIPTION	DATE	APPROVED
1	RELEASE TO PRODUCTION	4/27/2015	KRW




V:\X300\Mechanical Models\X300-3C\ 81-03-0079-00GA GENERAL ASSEMBLY, X300-3C WITH FLANGE

D
C
B
A

D
C
B
A

PROPRIETARY AND CONFIDENTIAL
THE INFORMATION CONTAINED IN THIS DRAWING IS THE SOLE PROPERTY OF CDI. ANY REPRODUCTION IN PART OR AS A WHOLE WITHOUT THE WRITTEN PERMISSION OF CDI IS PROHIBITED.

		UNLESS OTHERWISE SPECIFIED: DIMENSIONS ARE IN INCHES TOLERANCES: FRACTIONAL ± 1/32 ANGULAR: ± 2° TWO PLACE DECIMAL ± .03 THREE PLACE DECIMAL ± .010		NAME	DATE	 TITLE: GENERAL ASSEMBLY, X300-3C
		DRAWN	KRW	4/27/2015	SIZE	
		CHECKED			DWG. NO.	
		ENG APPR.			81-03-0079-00	
		MFG APPR.			REV	
		INTERPRET GEOMETRIC TOLERANCING PER: ASME Y14.5M - 1994				1
		MATERIAL				
		FINISH				
NEXT ASSY	USED ON			COMMENTS:		
APPLICATION		DO NOT SCALE DRAWING	ECN #:		SCALE: 1:2	WEIGHT:
						SHEET 1 OF 1

8 7 6 5 4 3 2 1