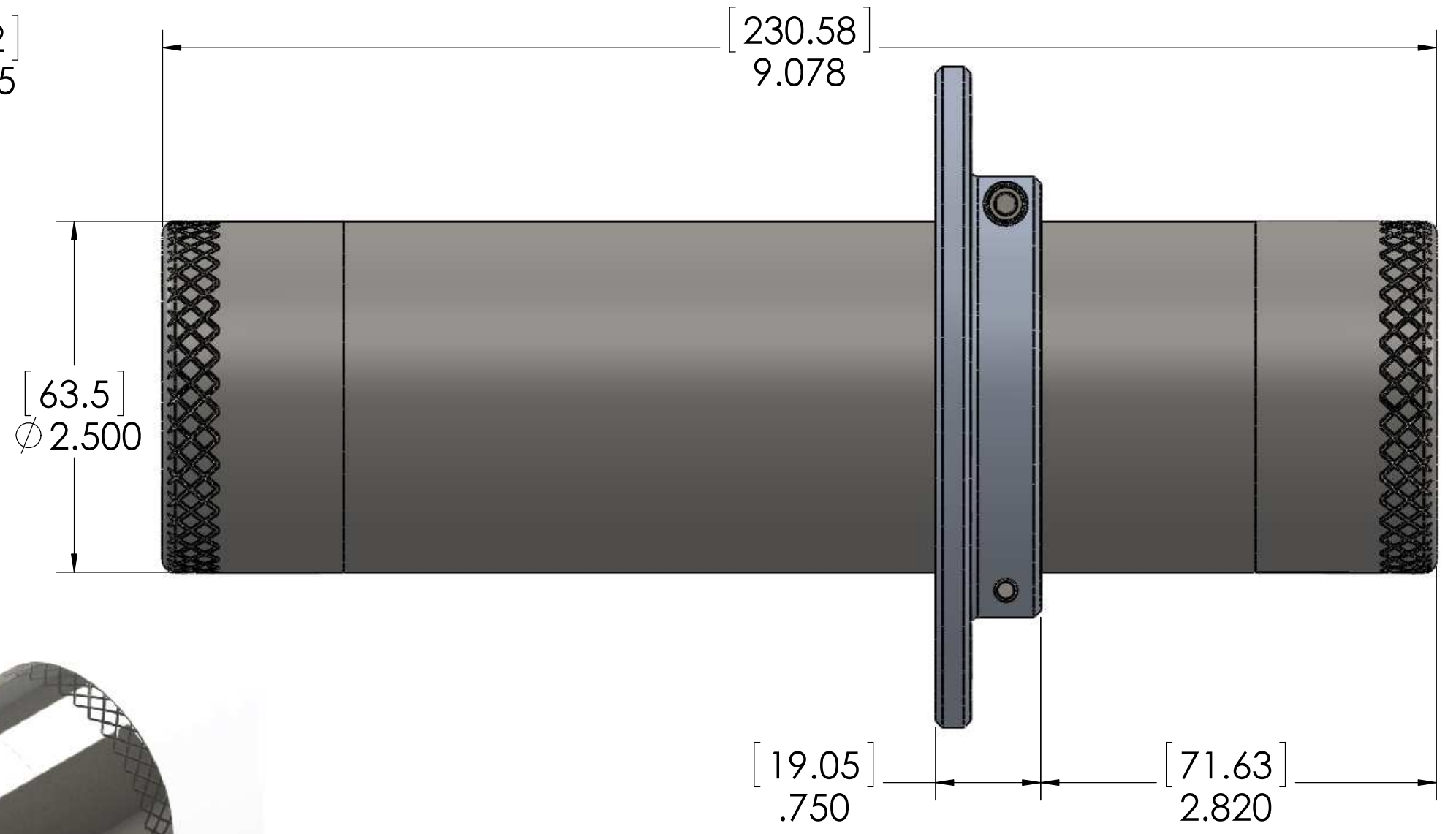
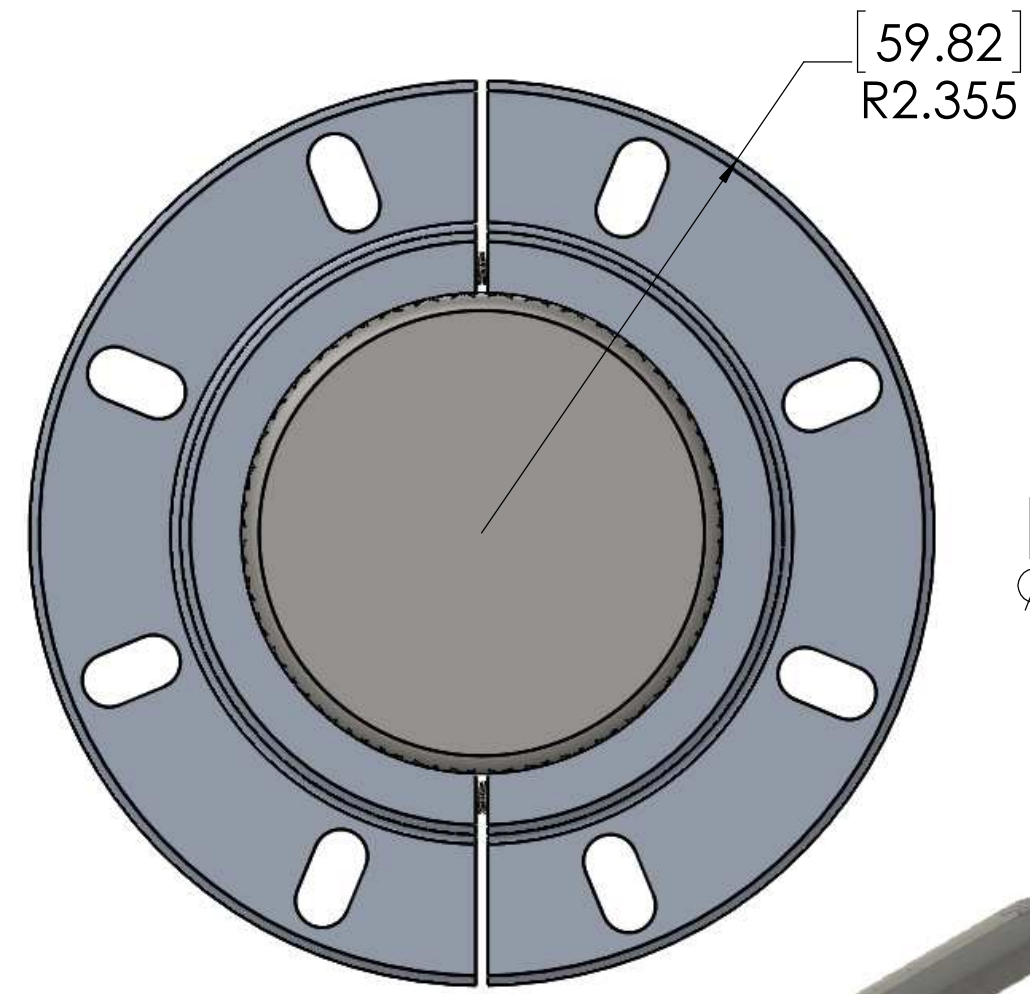



REV.	DESCRIPTION	DATE	APPROVED
1	RELEASE FOR PRODUCTION	4/23/15	KRW

D
C
B
A

D
C
B
A



PROPRIETARY AND CONFIDENTIAL
THE INFORMATION CONTAINED IN THIS DRAWING IS THE SOLE PROPERTY OF CDI. ANY REPRODUCTION IN PART OR AS A WHOLE WITHOUT THE WRITTEN PERMISSION OF CDI IS PROHIBITED.

		UNLESS OTHERWISE SPECIFIED:		NAME	DATE	
		DIMENSIONS ARE IN INCHES		DRAWN		
		TOLERANCES:		CHECKED		
		FRACTIONAL ± 1/32		ENG APPR.		
		ANGULAR: ± 2°		MFG APPR.		
		TWO PLACE DECIMAL ± .03		Q.A.		TITLE: GENERAL ASSEMBLY X400-3D WITH FLANGE
		THREE PLACE DECIMAL ± .010		COMMENTS:		
		INTERPRET GEOMETRIC TOLERANCING PER: ASME Y14.5M - 1994				SIZE
		MATERIAL				DWG. NO.
		FINISH				REV
NEXT ASSY	USED ON					B
						81-03-0069-00
						1
APPLICATION		DO NOT SCALE DRAWING		ECN #:		SCALE: 1:2
						WEIGHT:
						SHEET 1 OF 1

V:\X400\Mechanical Models\3D\ 81-03-0069-00 GENERAL ASSEMBLY, X400-3D with flange

8 7 6 5 4 3 2 1

8 7 6 5 4 3 2 1