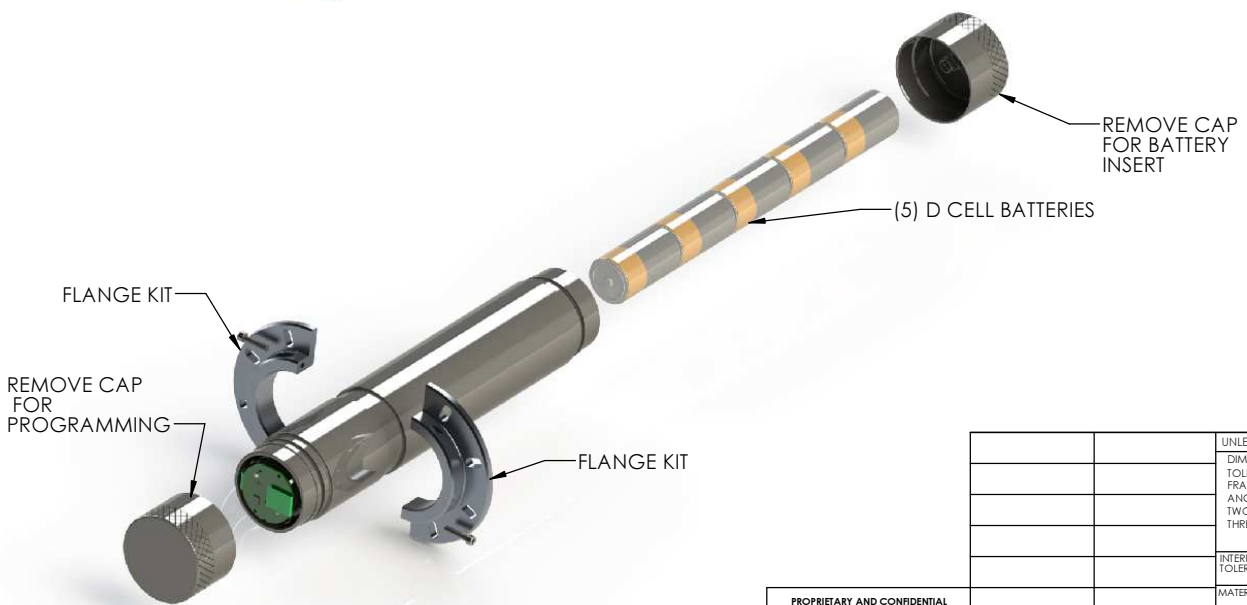
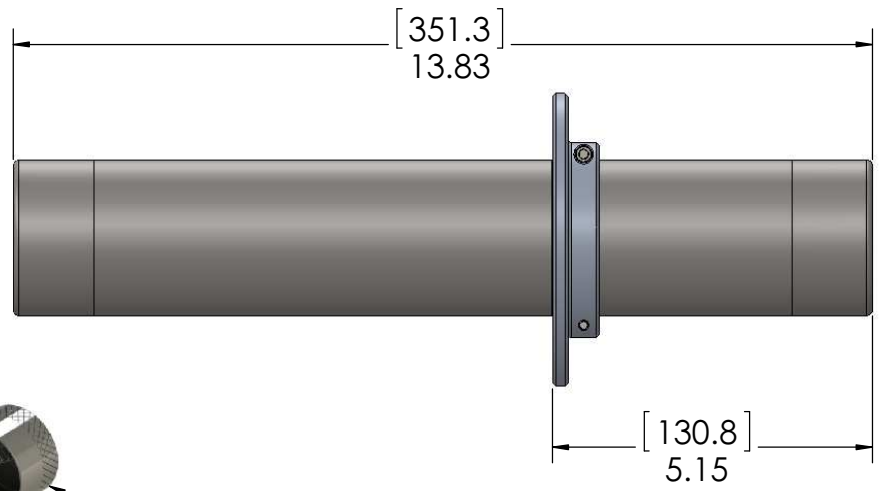
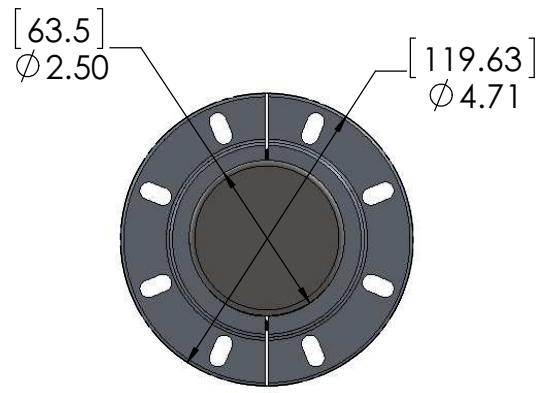



REV.	DESCRIPTION	DATE	APPROVED
1	RELEASE FOR PRODUCTION	11/21/2014	KRW



PROPRIETARY AND CONFIDENTIAL
 THE INFORMATION CONTAINED IN THIS DRAWING IS THE SOLE PROPERTY OF CDI. ANY REPRODUCTION IN PART OR AS A WHOLE WITHOUT THE WRITTEN PERMISSION OF CDI IS PROHIBITED.

		UNLESS OTHERWISE SPECIFIED: DIMENSIONS ARE IN INCHES TOLERANCES: FRACTIONAL ± 1/32 ANGULAR: ± 2° TWO PLACE DECIMAL ± .03 THREE PLACE DECIMAL ± .010		NAME	DATE	 GENERAL ASSEMBLY X400-5D
				DRAWN	KRW 11/21/2014	
				CHECKED		
				ENG APPR.		
				MFG APPR.		
				Q.A.		
				COMMENTS:		
				MATERIAL		
				304L SS		
				FINISH		
				125 RMS		
				APPLICATION		
				DO NOT SCALE DRAWING		
				ECN #:		
				SIZE	DWG. NO.	REV
				B	81-03-0094-00GA	1
				SCALE: 1:4	WEIGHT:	SHEET 1 OF 1

V:\X400\Mechanical Models\5D\ 81-03-0094-00GA GENERAL ASSEMBLY X400-5D STANDARD WITH FLANGE