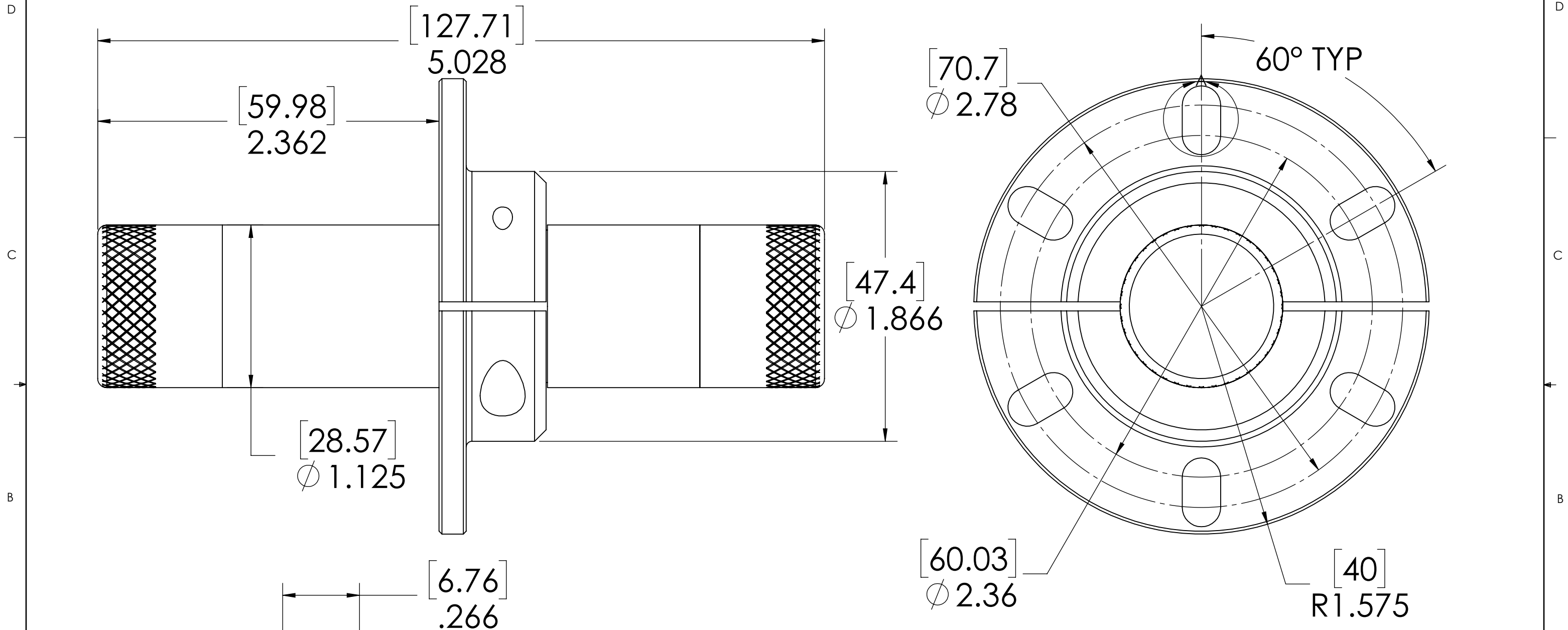


REV.	DESCRIPTION	DATE	APPROVED
A	RELEASE TO PRODUCTION	3/21/2017	KRW



NOTES:

DETAIL A
SCALE 3:1



PROPRIETARY AND CONFIDENTIAL
THE INFORMATION CONTAINED IN THIS DRAWING IS THE SOLE PROPERTY OF CDI. ANY REPRODUCTION IN PART OR AS A WHOLE WITHOUT THE WRITTEN PERMISSION OF CDI IS PROHIBITED.

		UNLESS OTHERWISE SPECIFIED: DIMENSIONS ARE IN INCHES TOLERANCES: FRACTIONAL ± 1/32 ANGULAR: ± 2° TWO PLACE DECIMAL ± .03 THREE PLACE DECIMAL ± .010	APPROVED BY GROUP DATE:	CDI	
		INTERPRET GEOMETRIC TOLERANCING PER: ASME Y14.5M - 1994	DRAWING STATE		
MATERIAL Material <not specified>	COMMENTS:			SIZE B	DWG. NO. 81-03-0098-00
NEXT ASSY	USED ON			REV A	
APPLICATION	DO NOT SCALE DRAWING	ECR #:	SCALE: 1.5:1	SHEET 1 OF 1	