

8 7 6 5 4 3 2 1

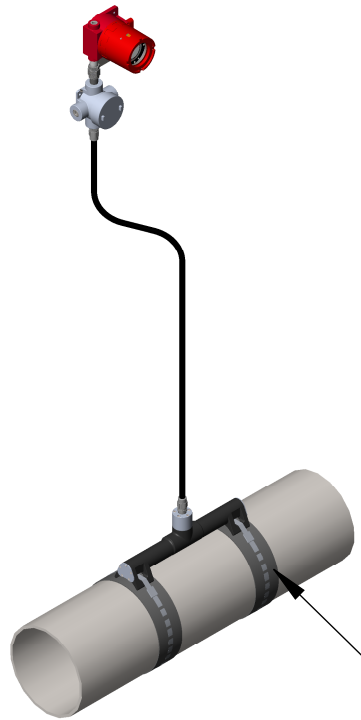
REVISIONS			
REV.	DESCRIPTION	DATE	APPROVED
A	RELEASED	1/29/2014	DS

D  
C  
B  
A

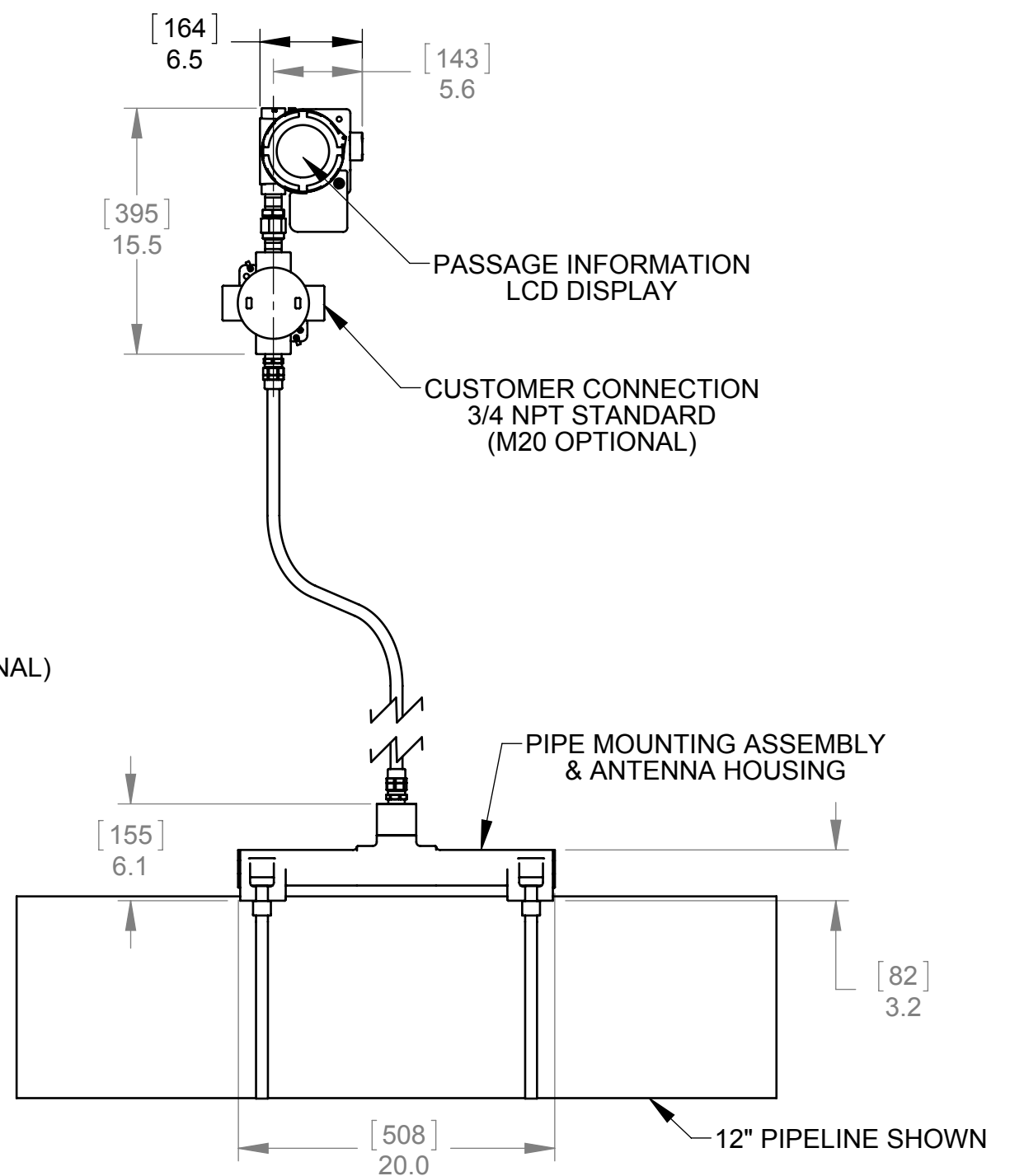
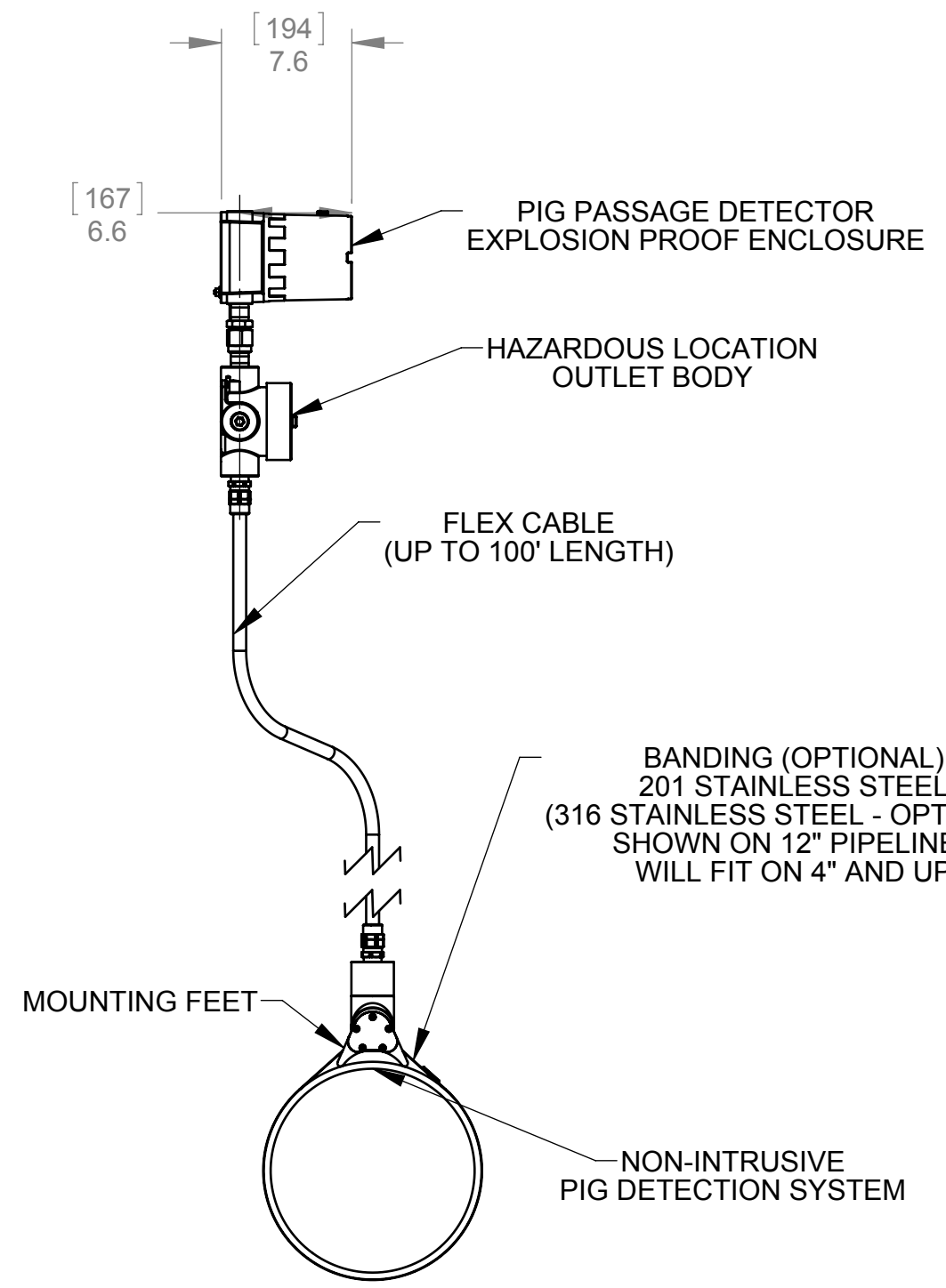
D  
C  
B  
A



**STANDARD BASE MOUNTING**




**CATHODIC PROTECTION  
BASE MOUNTING**



NOTES:  
1. DIMENSIONS ARE IN INCHES AND [MILLIMETERS].  
2. WEIGHT: 25 LB + .3 LB PER FOOT OF CABLE  
[11 KG + .43 KG PER METER OF CABLE].

**PROPRIETARY AND CONFIDENTIAL**  
THE INFORMATION CONTAINED IN THIS  
DRAWING IS THE SOLE PROPERTY OF  
CDI. ANY REPRODUCTION IN PART OR  
AS A WHOLE WITHOUT THE WRITTEN  
PERMISSION OF CDI IS PROHIBITED.

		UNLESS OTHERWISE SPECIFIED:		NAME	DATE
		DIMENSIONS ARE IN INCHES		DRAWN	GWY 9/29/15
		TOLERANCES:		CHECKED	DS 9/29/15
		FRACTIONAL ± 1/32		ENG APPR.	DS 9/29/15
		ANGULAR: ± 2°		MFG APPR.	KW 9/29/15
		TWO PLACE DECIMAL ± .03		Q.A.	RB 9/29/15
		THREE PLACE DECIMAL ± .010		COMMENTS:	
		INTERPRET GEOMETRIC TOLERANCING PER: ASME Y14.5M - 1994			
		MATERIAL			
		FINISH			
NEXT ASSY	USED ON				
APPLICATION		DO NOT SCALE DRAWING	ECR		

**CDI** 

TITLE: **GENERAL ARRANGEMENT,  
CD52 ATEX RATED  
FLEX-CABLE BANDIT**

SIZE DWG. NO. REV  
**B** 81-05-0080-XX-C-XXX **A**

SCALE: 1:24 WEIGHT: SHEET 1 OF 1