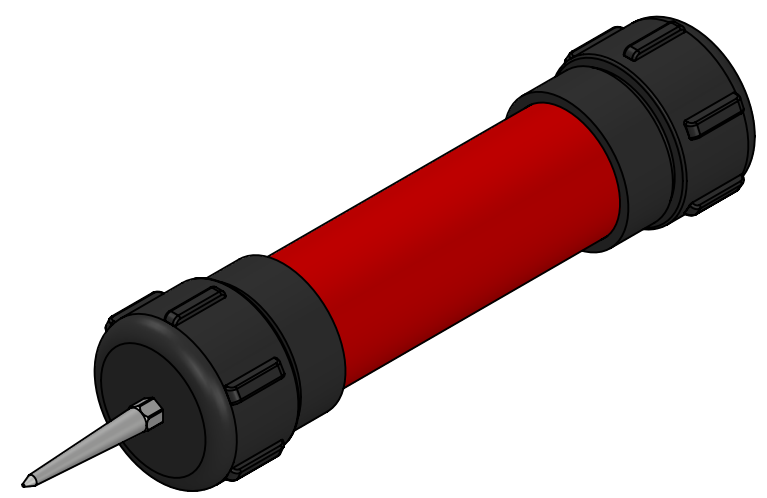
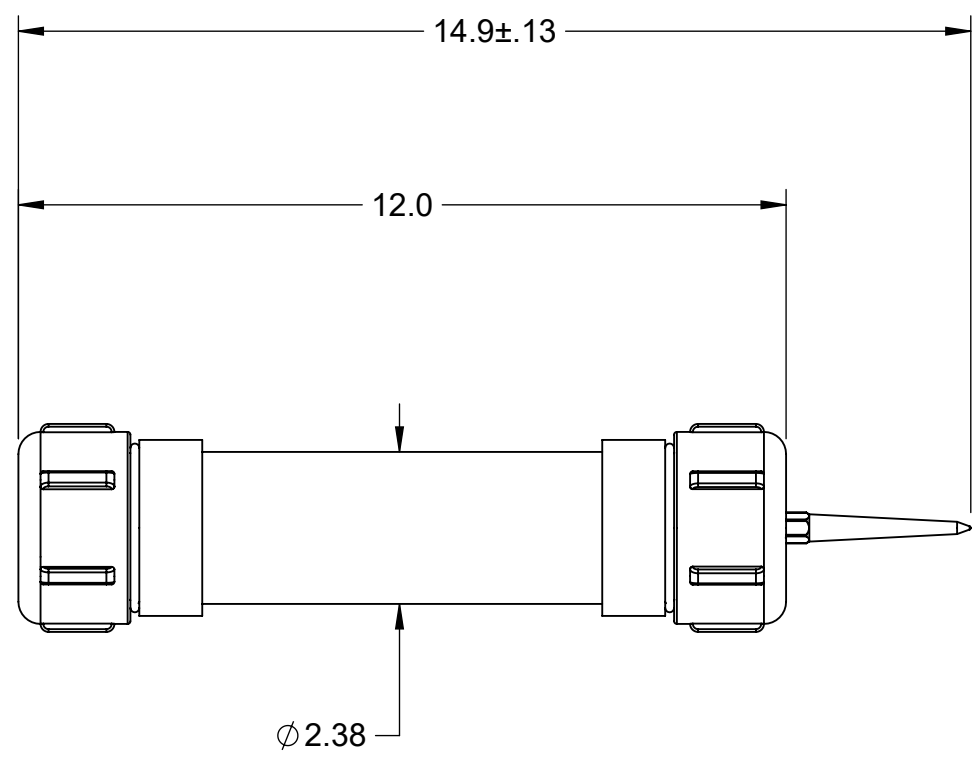
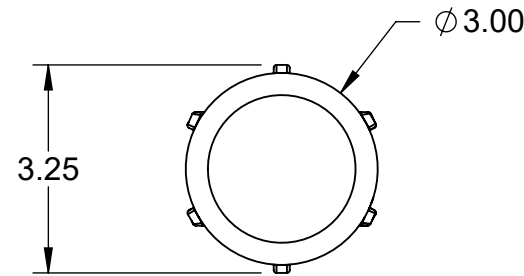


REVISIONS			
REV.	DESCRIPTION	DATE	APPROVED
A	RELEASE	05/29/2026	MJM



PROPRIETARY AND CONFIDENTIAL
 THE INFORMATION CONTAINED IN THIS DRAWING IS THE SOLE PROPERTY OF CDI. ANY REPRODUCTION IN PART OR AS A WHOLE WITHOUT THE WRITTEN PERMISSION OF CDI IS PROHIBITED.

		UNLESS OTHERWISE SPECIFIED:		CDI	
		DIMENSIONS ARE IN INCHES TOLERANCES: FRACTIONAL $\pm 1/32$ ANGULAR: $\pm 2^\circ$ TWO PLACE DECIMAL $\pm .03$ THREE PLACE DECIMAL $\pm .010$			
		INTERPRET GEOMETRIC TOLERANCING PER: ASME Y14.5M - 1994		PART TYPE ASSEMBLY	
		MATERIAL		COMMENTS:	
		FINISH		TITLE: GENERAL ARRANGEMENT, PIGSTICK	
NEXT ASSY		USED ON		SIZE DWG. NO. REV B 81-03-0175-00GA A	
APPLICATION		DO NOT SCALE DRAWING		SCALE: 1:3 WEIGHT: 3 lb SHEET 1 OF 1	
		ECR #:			